



BELLOWS SEALED GLOBE VALVE

MODEL **BE8H** CAST IRON
DUCTILE CAST IRON
CAST STEEL

GLOBE-TYPE VALVE WITH BELLOWS SEALED STEM

Features

Two-port durable bellows sealed shut-off globe valve for steam, water and other fluids*.

1. Durable stem with bellows seal and gland.
2. Non-rotating stem and non-rising hand wheel with position indication.
3. Plug and seat ring made of stainless steel.
4. Free of asbestos, PCB and CFC.

* Do not use for toxic, flammable or otherwise hazardous fluids.



Specifications

Model	BE8H-16	BE8H-25	BE8H-40
Body Material	Cast Iron EN-GJL-250	Ductile Cast Iron EN-GJS-400-18-LT	Cast Steel GP240GH
Connection	Flanged PN 16	Flanged PN 25	Flanged PN 40
Size	DN 15 - 200*	DN 15 - 200	DN 15 - 150

* Other sizes available on request

Operating Pressure & Temperature

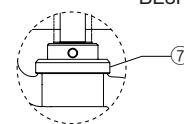
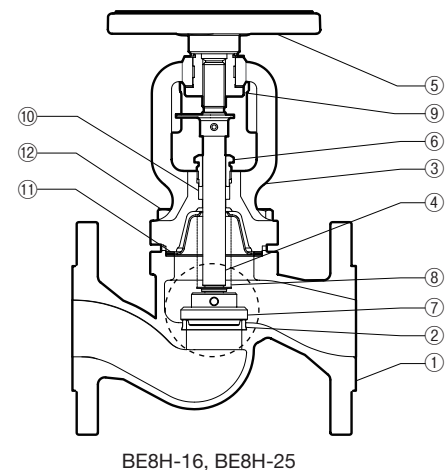
Model	-20	-10	50	100	120	150	200	250	300	350	400	Temperature (°C)
BE8H-16	—	16	16	16	16	14.4	12.8	11.2	9.6	—	—	Maximum Operating Pressure (barg)
BE8H-25	—	25	25	25	25	24.3	23	21.8	20	17.5	—	
BE8H-40	30	40	40	37.1	36.3	35.2	33.3	30.4	26.7	25.7	23.8	



To avoid abnormal operation, accidents or serious injury, DO NOT use this product outside of the specification range. Local regulations may restrict the use of this product to below the conditions quoted.

No.	Description	Material	DIN*	
①	Body	BE8H-16	Cast Iron EN-GJL-250	0.6025
		BE8H-25	Ductile Cast Iron EN-GJS-400-18-LT	0.7043
		BE8H-40	Cast Steel GP240GH	1.0619
②	Seat Ring	BE8H-16, BE8H-25	Stainless Steel	1.4006
③	Bonnet	BE8H-16, BE8H-25	Ductile Cast Iron EN-GJS-400-18-LT	0.7043
		BE8H-40	Cast Steel GP240GH	1.0619
④	Stem	BE8H-16, BE8H-25	Stainless Steel	1.4021
		BE8H-40	Stainless Steel	1.4305
⑤	Handwheel	BE8H-16, BE8H-25	Steel	—
		BE8H-40	Cast Iron	—
⑥	Gland	11SMnPb30	—	
⑦	Plug	Stainless Steel	1.4021	
⑧	Bellows	BE8H-16, BE8H-25	X8CrNiMoTi-17-12-2	—
		BE8H-40	X8CrNiTi-18-10	—
⑨	Sleeve	11SMnPb30	—	
⑩	Gland Seal	Graphite	—	
⑪	Bonnet Gasket	Graphite/Stainless Steel	—	
⑫	Bonnet Bolt/ Bonnet Nut	BE8H-16	Steel	8.8
		BE8H-25, BE8H-40	Steel	A2-70

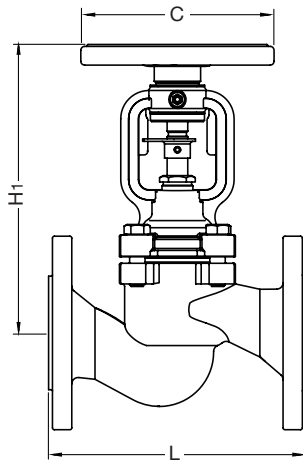
* Equivalent materials



BE8H-40

Dimensions

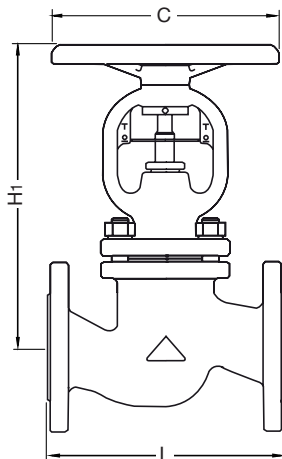
● **BE8H-16 / BE8H-25** Flanged



BE8H-16 / BE8H-25 Flanged (mm)

DN	L		H ₁	φ C	Weight (kg)
	DIN 2501	PN 16/25			
15	130		178	125	3.2
20	150				3.9
25	160				5.0
32	180				6.7
40	200		150	150	9.3
50	230				12
65	290		175	175	16
80	310		200	200	21
100	350		250	250	36
125	400		300	300	52
150	480		400	400	78
200	600		500	500	131

● **BE8H-40** Flanged



BE8H-40 Flanged (mm)

DN	L		H ₁	φ C	Weight (kg)
	DIN 2501	PN 40			
15	130		189	120	4.3
20	150				5.1
25	160				5.8
32	180		220	160	9.5
40	200				9.8
50	230		295	195	18
65	290				21
80	310		368	280	34
100	350				44
125	400		523	350	77
150	480				110

Cv & Kvs Values

Model	DN	15	20	25	32	40	50	65	80	100	125	150	200
BE8H-16 BE8H-25	Kvs (DIN)	5.9	7.4	13	18	30	41	79	115	181	225	364	725
	Cv (UK)	5.7	6.8	13	18	29	40	77	112	176	219	354	705
	Cv (US)	6.9	8.2	15	21	35	48	92	134	211	263	425	846
BE8H-40	Kvs (DIN)	4.3	7.0	11	18	27	47	68	116	162	250	364	—
	Cv (UK)	3.9	6.8	11	17	26	46	66	112	158	243	354	—
	Cv (US)	4.7	8.2	13	20	32	55	79	135	189	292	485	—