



## **BELLOWS SEALED TYPE GLOBE VALVES**

Cast Iron, Nodular Cast Iron & Carbon Steel

**DN 15 - 200 PN16, PN25 & (PN40 Carbon Steel)**

**Fig. BGV116, BGV216, BGV225 & BGV340**





# BELLOWS SEALED TYPE GLOBE VALVES PN16, PN25 & PN40

## General description

---

### General Description

ICP range of bellows sealed type globe valves provides an environmentally sound solution to on/off stop valve needs

The bellows sealed design ensures stem seal leaks are totally eliminated, meeting the most stringent worldwide emissions legislations.

This capability is vital to maintain plant safety. Save energy and promote a cleaner environment.

### Main Characteristics

- \* Two ply bellows
- \* Non-rising spindle
- \* Position Indicator
- \* Anti-turn device to avoid the risk of torsion of bellows
- \* Bellows welded on to the spindle
- \* **Long Life**

The bellows sealed type globe valves offers  
 ""Not Problems""! In operation and the fatigue  
 life of the bellows is designed with the latest  
 international standards.

In the unlikely event of a bellows failure, a  
 precautionary second seal exists to prevent leaks.

- \* **Free Maintenance**

Not only do bellows sealed valves cut out stem seal  
 emissions, they are virtually maintenance free.

Should you wish to change the internals, the  
 procedure is rapid and simple.

All gaskets in our valves are asbestos free.

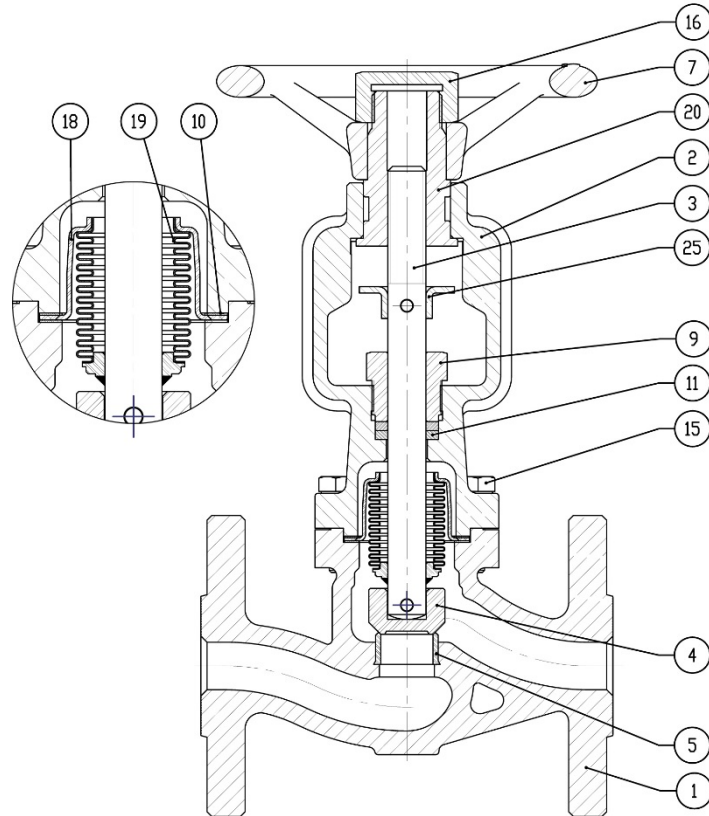
### User Benefits

***\*Eliminates fugitive emissions.... \*Easy to operate.... \*Long valve life.... \*No ongoing maintenance required***

# BELLOWS SEALED TYPE GLOBE VALVES PN16, PN25 & PN40

## Parts and materials

### Parts and Materials

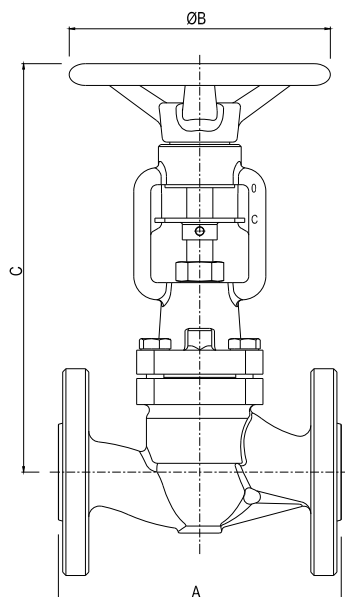


Item	Description	Material			
		BGV116	BGV216	BGV225	BGV340
1	Body	EN-GJL250	EN-GJS400-18		1.0619
2	Bonnet	EN-GJL250	EN-GJS400-18		1.0619
3	Spindle		x 12 CrNi S 18.8		
4	Disc		X 20 Cr 13		
5	Seat		X 22 CrNi 17		
7	Hand wheel		EN-GJS 400		
9	Gland Nut		EN-10087		
10	Gasket		Graphite		
11	Packing		Graphite		
15	Bolts	5.6		8.8	
16	Hand wheel nut		EN-10087		
18	Hood		X 12 CrNi S 18.8		
19	Bellow		1.4571		
20	Threader Bushing		EN-10087		
25	Anti Turn Device		EN-10025		

# BELLOWS SEALED TYPE GLOBE VALVES PN16, PN25 & PN40

## General dimensions

### General Dimensions



DN	A	C	ØB	Kvs	Weight			
					BGV116	BGV216	BGV225	BGV340
15	130	190	140	3,8	3,2	3,2	3,7	3,7
20	150	195	140	7	4,4	4,4	4,8	4,8
25	160	220	140	10	4,8	4,8	6,8	6,8
32	180	219	140	19	6,1	6,3	7,8	7,8
40	200	254	180	35	11	11	13	13
50	230	265	180	43	13	13	15,5	15,5
65	290	328	200	60	21	21,3	21,3	23
80	310	341	200	110	26,4	26,4	27	28
100	350	376	250	146	40	40	41	43
125	400	488	330	210	53,5	53,5	54,5	68
150	480	531	330	300	81	84	85	100
200	600	663	400	670	154	157	162	202
250	730	763	500	1025	180	185	185	220

(\*) Dimensions in mm and weight in kg.

#### Note:

Dimensions not subject to International Standards can vary in  $\pm 10\%$ . ICP reserves the right to change those dimensions without notice, due to they do not affect integrity and performance of the valves.

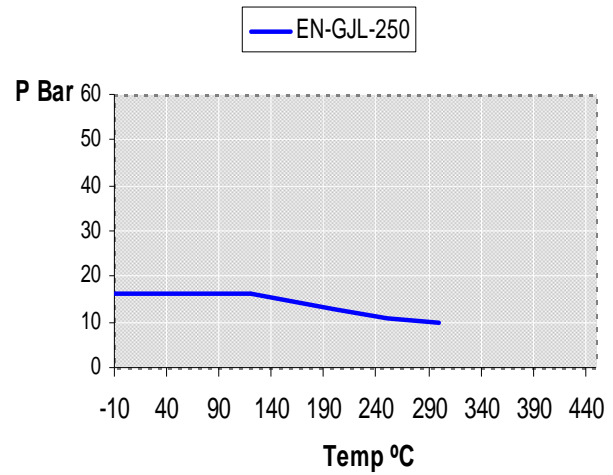
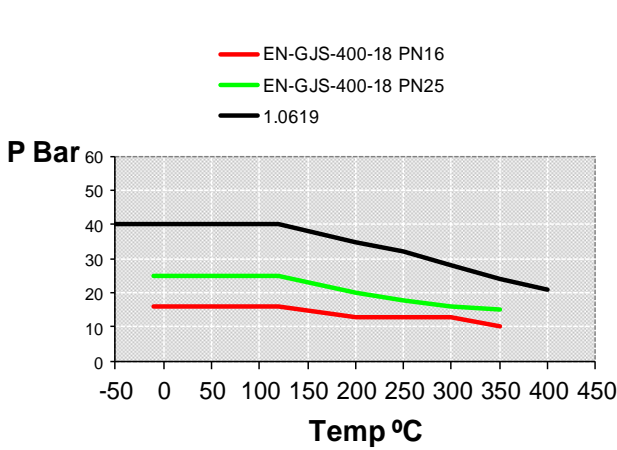


# BELLOWS SEALED TYPE GLOBE VALVES PN16, PN25 & PN40

## General Characteristics, P&T Rating

### General Characteristics

Figure	Material	PN
B116	EN-GJL-250	16
B216	EN-GJS-400-18	16
B225	EN-GJS-400-18	25
B340	1.0619	40
<b>DESIGN STANDARDS</b>		
Valve Design	DIN 3840	
Flanged dimensions	EN 1092	
Face to Face Dimensions	EN 558 Series 1	
Visual Inspection	MSS SP-55	
Marking	EN 19	



### Applications:

### Options:

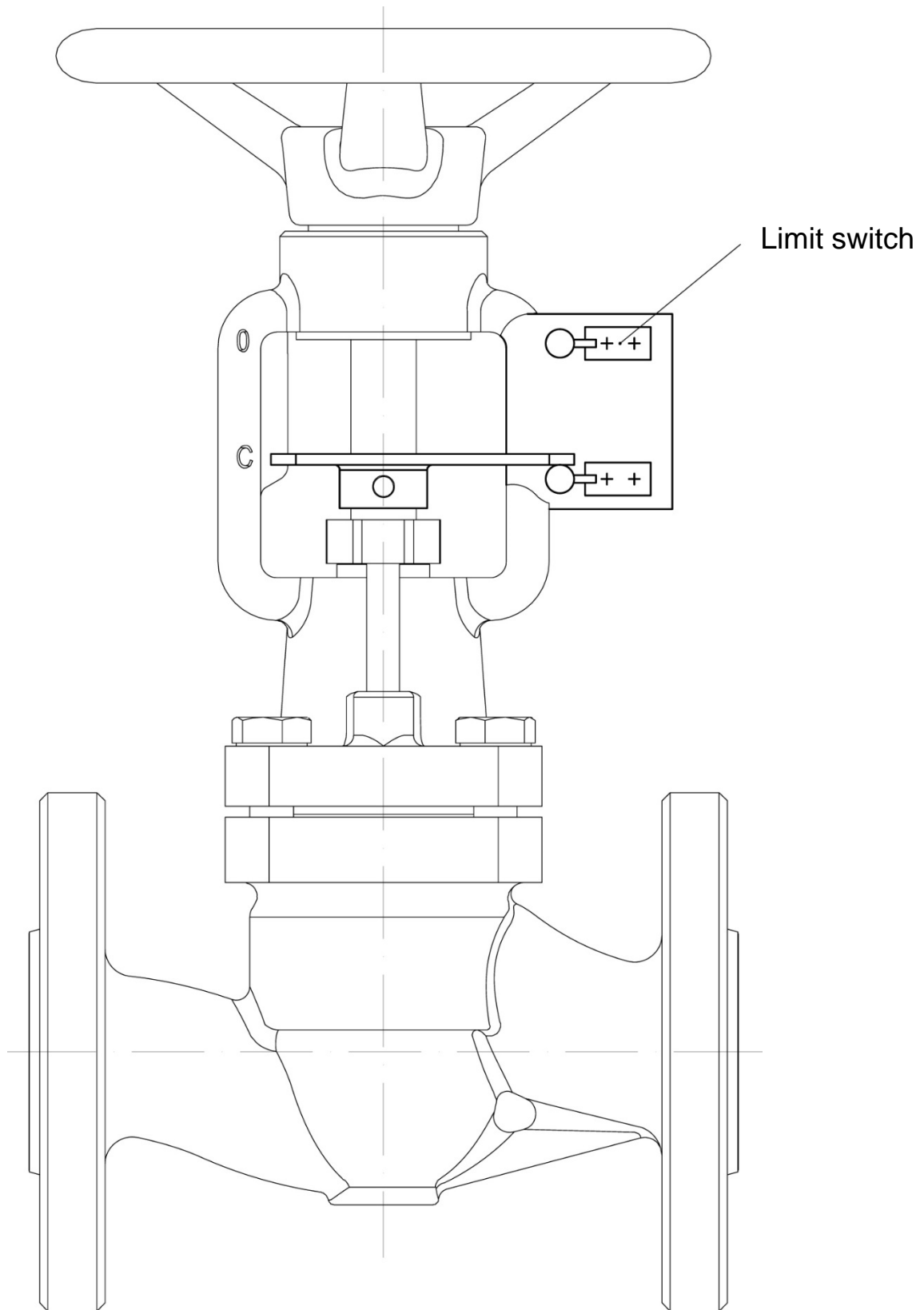
(On request)

- A Throttling plug
- B Disc with soft seat
- C Throttling plug+Soft seat



# BELLOWS SEALED TYPE GLOBE VALVES PN16, PN25 & PN40

Optional construction



Limit switch