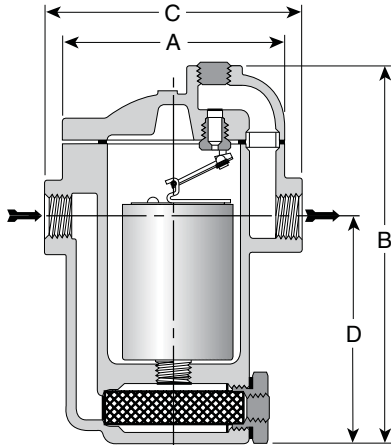


# 880 Series Inverted Bucket Steam Traps

Cast Iron for Horizontal Installation, with Integral Strainer

For Pressures to 17 bar...Capacities to 2 000 kg/h

Steam Trapping and Steam Tracing Equipment



## Description

The most reliable steam trap known – the inverted bucket – provides efficient condensate drainage of virtually all types of steam-using equipment. Put the inverted bucket to work in a tough cast iron package with an integral strainer, and you have the best of both worlds. Because they operate efficiently for longer periods of time, Armstrong cast iron inverted buckets add solid energy savings to lower replacement/labor costs. All Armstrong cast iron inverted bucket steam traps are repairable for even bigger maintenance savings.

A unique leverage system multiplies the force provided by the bucket to open the valve against system pressure. The mechanism is free-floating, and has no fixed pivots to create wear or friction.

Because the mechanism is located at the top of the trap, no dirt can collect on the orifice. Small particles of dirt are held in suspension until discharged by the full differential purging action when the bucket sinks, pulling the valve off the seat.

The discharge orifice is surrounded by a water seal, preventing live steam loss. Automatic air venting is provided by a small vent hole in the bucket, which provides continuous automatic air and CO<sub>2</sub> venting at steam temperature.

Inverted bucket traps drain continuously, although discharging intermittently, allowing no condensate backup. They are also resistant to water hammer.

## Connections

Screwed BSPT and NPT

Flanged ANSI (screw on)\*\*

## Maximum Operating Conditions

Maximum allowable pressure

(vessel design) †:

17 bar @ 232°C

Maximum operating pressure:

Model 880: 10 bar

Model 881 - 883: 17 bar

Maximum back pressure:

99% of inlet pressure

## Materials

Body:

ASTM A48 Class 30

Internals:

All stainless steel – 304

Valve and seat:

Stainless Steel 17-4PH

Test plug:

Carbon steel

Strainer:

Stainless steel – 304

## Options

- Stainless steel internal check valve
- Thermic vent bucket
- Scrub wire

## Specification

Inverted bucket steam trap, type ... in cast iron with integral strainer, with continuous air venting at steam temperature, with free-floating stainless steel mechanism, and discharge orifice at the top of the trap. Maximum allowable back pressure 99% of inlet pressure.

## How to Order

Specify:

- Model number
- Size and type of pipe connection
- Maximum working pressure that will be encountered or orifice size
- Any options required

**Table ST-86-1. 880 Series Side Inlet, Side Outlet Trap with Integral Strainer (dimensions in mm)**

Add suffix «CV» to model number for internal check valve, «T» for thermic vent bucket.

Model No.	880*	881	882	883
Pipe Connections	15 – 20	15 – 20 – 25	15 – 20	20 – 25 – 32
Test plug	1/4"	1/4"	1/2"	3/4"
«A» Diameter	95	95	143	179
«B» Height	154	179	244	314
«C» Face-to-Face	127	127	165	200
«D» Bottom to C Inlet	87	113	146	187
Number of Bolts	6			
Weight in kg	2,5	2,7	7	14,1

\* Cannot be furnished with both thermic vent bucket and check valve.

\*\* Dimensions on request.

All models comply with the Article 4.3 of the PED (2014/68/UE).

† May be derated depending on flange rating and type.

**All dimensions and weights are approximate. Use certified print for exact dimensions. Design and materials are subject to change without notice.**

# 880 Series Inverted Bucket Steam Traps

Cast Iron for Horizontal Installation, with Integral Strainer  
For Pressures to 17 bar...Capacities to 2 000 kg/h



Table ST-87-1. Model 880 Capacity

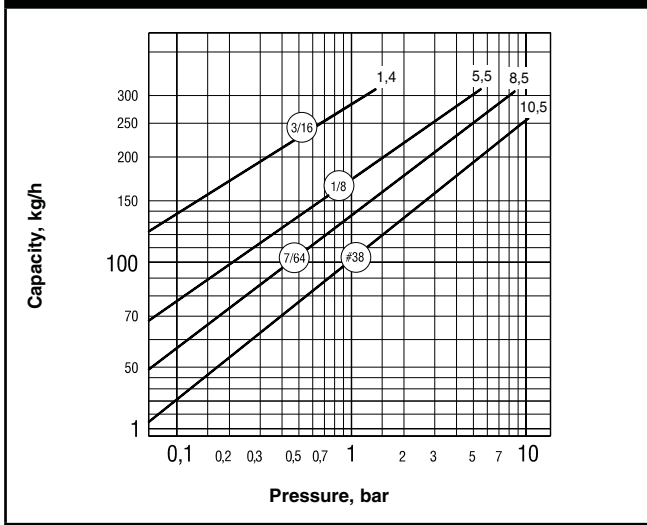


Table ST-87-2. Model 881 Capacity

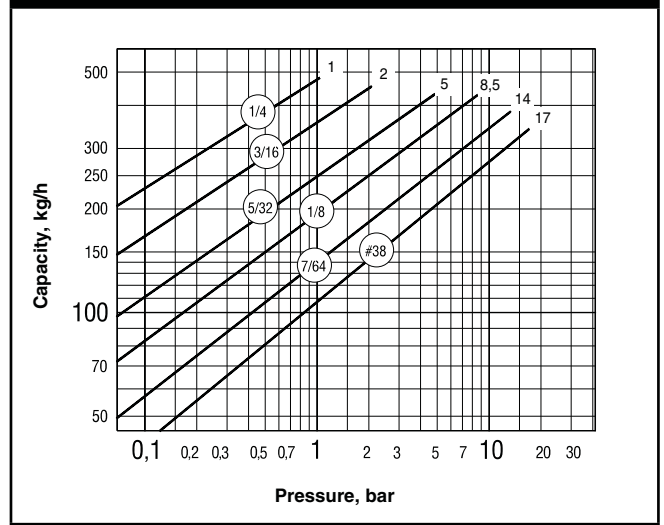


Table ST-87-3. Model 882 Capacity

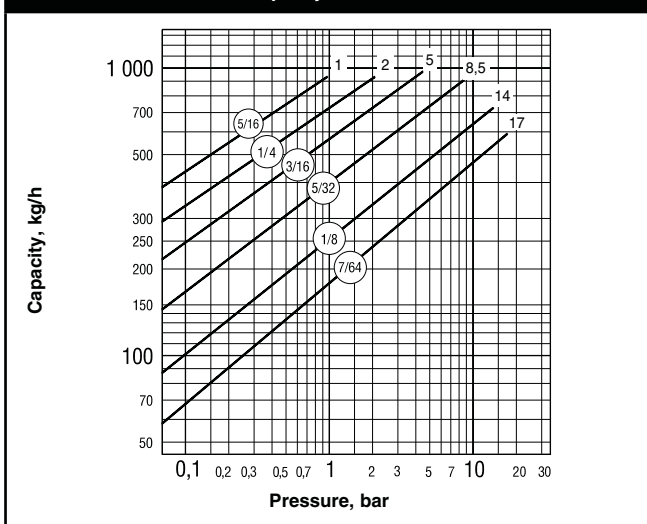
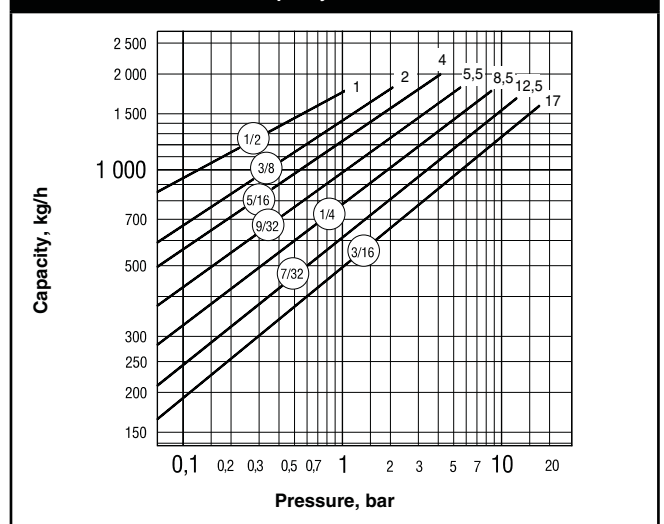


Table ST-87-4. Model 883 Capacity



All dimensions and weights are approximate. Use certified print for exact dimensions. Design and materials are subject to change without notice.