



FLANGELESS CHECK VALVE

MODEL CKF3MG/CKF3RG

DISC TYPE CHECK VALVE BETWEEN FLANGES WITH CENTER GUIDED VALVE DISC

Features

Compact stainless steel check valve for steam, air and water.

1. Fine-machined metal or rubber valve seat provides tight closure.
2. Stainless steel body and internal parts ensure long service life.
3. Smooth movement of the center guided valve disc further increases durability.
4. Performance assured with installation in either horizontal or vertical pipelines.
5. Can be simply installed between all major flange types without measuring instruments, concentric due to its unique body shape.
6. Easy repair and maintenance possible.



Specifications

Model	CKF3MG	CKF3RG
Connection	Between Flanges	Between Flanges
Size (mm)	50, 65, 80, 100	50
Connectable Flange Standards	Shown on reverse	Shown on reverse
Sealing Surface*	Stainless Steel	Fluorine Rubber
Maximum Operating Pressure (MPaG) PMO	3.0	1.6
Minimum Opening Differential Pressure** (MPa)	0.001	0.001
Minimum Required Differential Pressure for Tight Sealing (MPa)	—	0.05
Maximum Operating Temperature (°C) TMO	350	150
Applicable Fluids***	Steam, Water	Air, Water

* Perfect sealing cannot be guaranteed for metal sealing surfaces.

1 MPa = 10.197 kg/cm²

Degradation of, or debris on, rubber sealing surfaces may also prevent perfect sealing.

** When the valve has remained closed for a long period of time, the valve and the valve seat may stick, increasing the necessary minimum opening differential pressure.

*** Do not use for toxic, flammable, or otherwise hazardous fluids

PRESSURE SHELL DESIGN CONDITIONS (**NOT OPERATING CONDITIONS**): Maximum Allowable Pressure (MPaG) PMA: 3.0
Maximum Allowable Temperature (°C) TMA: 350

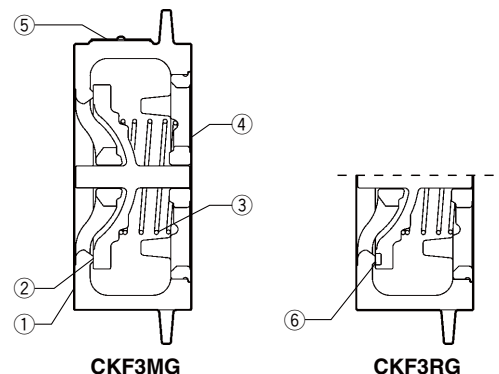


To avoid abnormal operation, accidents or serious injury, DO NOT use this product outside of the specification range. Local regulations may restrict the use of this product to below the conditions quoted.

No.	Description	Material	JIS	ASTM/AISI*
①	Body	Cast Stainless Steel	—	A351 Gr. CF8
②	Valve Disc	Cast Stainless Steel	—	A351 Gr. CF8
③	Coil Spring	Stainless Steel	SUS304	AISI304
④	Spring Holder	Stainless Steel	SUS304	AISI304
⑤	Nameplate	Stainless Steel	SUS304	AISI304
⑥	Valve Disc Inlay (CKF3RG)	Fluorine Rubber	FPM	D2000HK

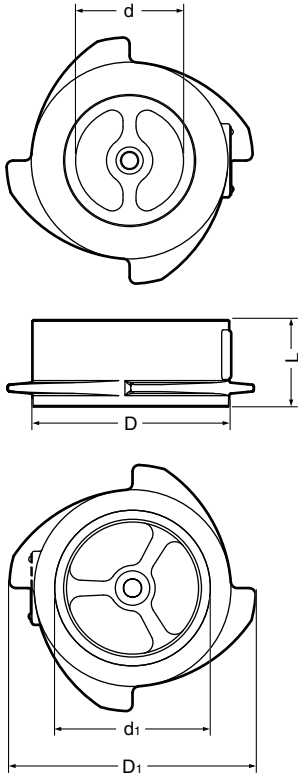
* Equivalent

Replacement Parts are not available for this product as special equipment is required for assembly / disassembly.



Dimensions

• **CKF3MG/CKF3RG** Flangeless



CKF3MG Flangeless (mm)

Size	L	φD	D ₁	φd	φd ₁	Weight (kg)
50	40	91	114	50	72	1.0
65	46	116	142	65	88	1.7
80	50	132	152	80	104	2.3
100	60	157	185	100	124	3.5

CKF3RG Flangeless (mm)

Size	L	φD	D ₁	φd	φd ₁	Weight (kg)
50	40	91	114	50	72	1.0

Connectable Flange Standards

Size (mm)	ASME, JPI	JIS	DIN	BS Table
50	Class 125, 150, 250, 300	5, 10, 16, 20, 30 K	PN 6, 10, 16, 25, 40	A, D, E, F, H, J
65				F, H, J
80		10, 16, 20, 30 K	PN 10, 16, 25, 40	A, D, E, F, H, J
100				

Cv Values

Size (mm)	50	65	80	100
Cv (US)	54	100	140	240
Cv (UK)	45	83	117	200
Kvs (DIN)	46	85	120	206

Manufacturer

ISO 9001/ISO 14001

TLV CO., LTD.
Kakogawa, Japan

is approved by LRQA Ltd. to ISO 9001/14001

